



شركة محمد عبدالله العريض المحدودة
Mohammad Abdullah Al Areeedh Ltd. Co.

ALL TERRAIN CRANE

GA

GA-1000N

JAPANESE SPECIFICATIONS

CARRIER MODEL	SPEC. NO.
FAUN RTF101-4	GA-1000N-1-90102

Control No. GA-1000N-1-90102 / JA-03

GA-1000N

CRANE SPECIFICATIONS

CRANE CAPACITY

12.2m	Boom	100,000kg	at 2.8m	(13part-line)
21.1m	Boom	50,000kg	at 5.0m	(7part-line)
30.1m	Boom	30,000kg	at 6.0m	(5part-line)
39.0m	Boom	18,500kg	at 9.0m	(4part-line)
46.2m	Boom	12,500kg	at 12.0m	(4part-line)
48.0m	Boom	11,200kg	at 12.0m	(4part-line)
9.0m	Jib	6,500kg	at 75 °	(1part-line)
14.0m	Jib	3,500kg	at 73 °	(1part-line)
19.0m	Jib	2,500kg	at 78 °	(1part-line)

MAX.LIFTING HEIGHT

Boom	48.5m
Jib	67.0m

MAX.WORKING RADIUS

Boom	44.0m
Jib	48.0m

BOOM LENGTH

12.2m – 48.0m

BOOM EXTENSION

35.8m

BOOM EXTENSION SPEED

35.8m/110s

JIB LENGTH

9.0m – 19.0m

MAIN WINCH SINGLE LINE WINDING SPEED

High speed: 140m/min Low speed: 70m/min (4th layer)

MAIN WINCH HOOK SPEED

High speed: 10.8m/min Low speed: 5.4m/min
(13 part-line)

AUXILIARY WINCH SINGLE LINE WINDING SPEED

High speed: 140m/min Low speed: 70m/min (4th layer)

AUXILIARY WINCH HOOK SPEED

High speed: 140m/min Low speed: 70m/min
(1 part-line)

BOOM ELEVATION ANGLE

-1.7 ° - 81.5 °

BOOM ELEVATION SPEED

-1.7 ° - 81.5 755s

SWING ANGLE

360 °continue

SWING SPEED

1.5min⁻¹(rpm)

WIRE ROPE

Main Winch

22mm x 263m (Diameter x Length)
Anti-rotate wire rope

Auxiliary Winch

22mm x 150m (Diameter x Length)
Anti-rotate wire rope

HOOK

100t	hook	(13part-line)
50t	hook	(7part-line)
8t	hook	(1part-line)

BOOM

5-section hydraulically telescoping boom of box construction

Two telescoping methods selection type

Telescoping method I

(stages 2,3: synchronized; stages 4,5: synchronized)

Telescoping method II

(stages 2 – 5: synchronized)

BOOM EXTENSION

3 double-acting hydraulic cylinders

1 wire rope type telescoping device

With flow regulator valve with pressure compensation

JIB

Folding type which stores alongside the boom

3-section hydraulically synchronously telescoping boom

Hydraulic non-stage offset (5 ° - 60 °) type

SINGLE TOP

Single sheave. Mounted to main boom head for single line work.

HOIST

Driven by hydraulic variable motor and via planetary gear reducer.

Automatic brake

2 single winches

With flow regulator valve with pressure compensation

BOOM ELEVATION

1 double-acting hydraulic cylinder

With flow regulator valve with pressure compensation

SWING

Hydraulic motor driven planetary gear reducer

Swing bearing

Manual switch brake

Swing free/lock changeover type

OUTRIGGERS

Fully hydraulic H-type

Slides and jacks each provided with independent operation device.

Fully extended width 7.2m

Middle extended width 6.36m, 4.9m, 4.0m

Slide storing float

MAX. VERTICAL LOAD CAPACITY OF OUTRIGGER

80t

ENGINE FOR CRANE

Engine exclusive to upper component operation

Model MITSUBISHI 6D16 - TE1

Type 4-cycle, 6 in-line cylinder, direct-injection, water-cooled diesel engine

Piston displacement 7.54L

Max. output 126kW (171PS) at 1,830min⁻¹

Max. torque 687N-m (70.0kgf-m) at 1,600min⁻¹

HYDRAULIC PUMPS

2 variable high-pressure piston pumps and 2 high-pressure gear pumps

HYDRAULIC OIL TANK CAPACITY

1,010 liters

SAFETY DEVICES

Automatic moment limiter (AML)

With working range limiting function

With hook movement amount indicator

Outrigger extension automatic detector (individual detection)

Weight combination automatic detector

Swing range controller

Swing automatic stop device

Boom elevation slow down and stop device

Over-winding cutout device

Dead winding holding device

Level gauge

Hook safety latch

Cable follower

Swing lock

Hydraulic safety valve

Telescopic counterbalance valve

Elevation counterbalance valve

Jack pilot check valve

EQUIPMENT

Counterweight dismount/mount device

Jib extension device

Boom elevation creeping mode setting device

Swing creeping mode setting device

Swing frame dismount/mount device

(dismounting/mounting ring)

AML external indication lamp

Oil cooler

Air conditioner

FM radio

Hot and cool boxes

Lunch table

Drum monitor

Swing alarm

OPTIONAL EQUIPMENT

TV tuner

Swing frame dismount/mount device

(dismounting/mounting ring)

Loudspeaker

CARRIER SPECIFICATIONS

MANUFACTURER

FAUN GmbH

CARRIER MODEL

RTF 101-4

ENGINE

Model OM501LA (Benz)

Type 4-cycle, V6-cylinder, direct-injection,
water-cooled turbo diesel engine with inter cooler

Piston displacement 11.946L

Max. output 315kW (428PS) at 1,800rpm

Max. torque 2,000N·m (204kgf·m) at 1,080rpm

TRANSMISSION

Fully automatic

6-forward and 1-reverse speeds

Sub-transmission provided.

CLUTCH

Torque converter provided.

Automatic lock-up mechanism provided.

DRIVING METHOD

8 x 6

AXLE (all axles)

Full-floating type

SUSPENSION (all axles)

Hydraulic pneumatic suspension

Stroke: +151mm/-125mm

STEERING

Type: Left-side handle

Fully hydraulic power steering

2 circuits

Emergency power steering

Mode: Normal (4 front wheels)

Clamp (8 wheels)

Crab (8 wheels)

Rear steering (4 rear wheels)

BRAKE SYSTEM

Service Brake

Air brake on all wheels

2 circuits

Parking Brake

2nd, 3rd, and 4th axles (6-wheel) spring brake

Emergency Brake

Works by applying the parking brake

Auxiliary Brake

Electric retarder

ELECTRIC SYSTEM

24 V DC. 2 batteries of 12V-170Ah

FUEL TANK CAPACITY

400 liters

CAB

Two-man type

TIRES

445/95R25 177E ROAD (all wheels)

WHEEL

11.00-25 (all wheels)

STANDARD EQUIPMENT

Air conditioner

FM radio

Mud guard

Centralized lubrication unit

Bed for napping

Back monitor

GENERAL DATA

DIMENSIONS (CARRIER ONLY)

Overall length 10,815mm

Overall width 2,780mm

Overall height 3,075mm

Wheel base 1,690mm + 2,305mm + 1,700mm =
5,695mm

Tread 2,310mm

WEIGHTS (CARRIER ONLY)

Gross vehicle weight

Total 24,630kg (Two-man type)

Front: 13,180kg

Rear: 11,450kg

PERFORMANCE

Max. traveling speed 63km/h

Gradeability (tan⁻¹) 1.13

Min. turning radius

4-wheel steering 11.2m

8-wheel steering 7.0m

Note:

- 1 The swing jib of this crane must be removed and transported separately from the carrier when running on public roads.
- 2 This crane is covered by Class A Conditions under the Basic Running Conditions of the Road Traffic Act.

TOTAL RATED LOADS CHART

[BOOM]
(Counterweight 21t, Outrigger extension width 7.2m)

Unit:ton

Performance A									
B \ A	12.2m	21.1m		30.1m		39.0m		46.2m	48.0m
2.8m	100.0	50.0	19.5						
3.0m	95.6	50.0	19.5						
3.5m	86.6	50.0	19.5						
4.0m	75.5	50.0	19.5						
4.5m	66.7	50.0	19.5	30.0	19.5				
5.0m	59.6	50.0	19.5	30.0	19.5				
6.0m	48.7	48.9	19.5	30.0	19.5				
7.0m	40.7	41.0	19.5	28.9	19.5	18.5	17.3		
8.0m	34.7	34.9	19.5	25.9	19.5	18.5	17.3		
9.0m	30.0	30.2	19.5	23.3	19.5	18.5	17.3	12.5	11.2
10.0m		26.4	19.5	21.1	19.5	18.2	16.2	12.5	11.2
12.0m		20.6	19.5	17.7	18.2	15.3	14.1	12.5	11.2
14.0m		15.5	17.0	15.0	16.6	13.0	12.4	11.3	10.7
16.0m		12.0	13.4	12.0	13.9	11.2	11.1	9.9	9.5
18.0m		9.5	10.8	9.4	11.3	9.7	9.8	8.7	8.4
20.0m				7.5	9.3	8.5	8.8	7.8	7.4
22.0m				6.0	7.7	7.2	7.8	7.0	6.7
24.0m				4.7	6.4	5.9	6.6	6.2	6.0
26.0m				3.7	5.4	4.9	5.5	5.4	5.4
28.0m						4.0	4.6	4.6	4.7
30.0m						3.3	3.9	3.8	3.9
32.0m						2.7	3.3	3.2	3.3
34.0m						2.1	2.7	2.6	2.7
36.0m						1.7	2.3	2.2	2.3
38.0m								1.8	1.8
40.0m								1.4	1.5
42.0m								1.1	1.2
44.0m									1.0
θ (°)	0~81.5	0~81.5	0~81.5	0~81.5	0~81.5	0~81.5	0~81.5	0~81.5	11~81.5
Boom stage telescoping condition (%)									
Telescoping method	I, II	I	II	I	II	I	II	I	I, II
2nd boom	0	50	25	100	50	100	75	100	100
3rd boom	0	50	25	100	50	100	75	100	100
4th boom	0	0	25	0	50	50	75	90	100
5th boom	0	0	25	0	50	50	75	90	100

A= Boom length B= Working radius

[BOOM]
(Counterweight 16t, Outrigger extension width 7.2m)

Unit: ton

Performance B									
B \ A	12.2m	21.1m		30.1m		39.0m		46.2m	48.0m
2.8m	100.0	50.0	19.5						
3.0m	95.6	50.0	19.5						
3.5m	83.0	50.0	19.5						
4.0m	72.3	50.0	19.5						
4.5m	63.8	50.0	19.5	30.0	19.5				
5.0m	56.9	50.0	19.5	30.0	19.5				
6.0m	46.4	46.7	19.5	30.0	19.5				
7.0m	38.8	39.0	19.5	28.9	19.5	18.5	17.3		
8.0m	33.1	33.3	19.5	25.9	19.5	18.5	17.3		
9.0m	28.5	28.7	19.5	23.3	19.5	18.5	17.3	12.5	11.2
10.0m		25.1	19.5	21.1	19.5	18.2	16.2	12.5	11.2
12.0m		17.9	19.5	17.7	18.2	15.3	14.1	12.5	11.2
14.0m		13.3	14.7	13.2	15.2	13.0	12.4	11.3	10.7
16.0m		10.1	11.5	10.1	12.0	11.2	11.1	9.9	9.5
18.0m		7.8	9.2	7.8	9.6	9.1	9.8	8.7	8.4
20.0m				6.0	7.8	7.3	8.0	7.8	7.4
22.0m				4.6	6.4	5.9	6.5	6.5	6.6
24.0m				3.5	5.2	4.7	5.4	5.3	5.4
26.0m				2.7	4.3	3.8	4.4	4.4	4.5
28.0m						3.0	3.7	3.6	3.7
30.0m						2.4	3.0	2.9	3.0
32.0m						1.8	2.4	2.3	2.4
34.0m						1.3	2.0	1.8	1.9
36.0m						1.0	1.6	1.4	1.5
38.0m								1.0	1.1
θ (°)	0~81.5	0~81.5	0~81.5	0~81.5	0~81.5	2~81.5	0~81.5	28~81.5	31~81.5
Boom stage telescoping condition (%)									
Telescoping method	I, II	I	II	I	II	I	II	I	I, II
2nd boom	0	50	25	100	50	100	75	100	100
3rd boom	0	50	25	100	50	100	75	100	100
4th boom	0	0	25	0	50	50	75	90	100
5th boom	0	0	25	0	50	50	75	90	100

A= Boom length B= Working radius

[BOOM]
(Counterweight 21t, Outrigger extension width 6.36m)

Unit:ton

Performance C									
B \ A	12.2m	21.1m		30.1m		39.0m		46.2m	48.0m
2.8m	85.0	50.0	19.5						
3.0m	81.5	50.0	19.5						
3.5m	73.7	50.0	19.5						
4.0m	67.1	50.0	19.5						
4.5m	61.4	50.0	19.5	30.0	19.5				
5.0m	56.5	50.0	19.5	30.0	19.5				
6.0m	48.3	48.5	19.5	30.0	19.5				
7.0m	40.7	41.0	19.5	28.9	19.5	18.5	17.3		
8.0m	34.7	34.9	19.5	25.9	19.5	18.5	17.3		
9.0m	30.0	30.2	19.5	23.3	19.5	18.5	17.3	12.5	11.2
10.0m		26.4	19.5	21.1	19.5	18.2	16.2	12.5	11.2
12.0m		20.4	19.5	17.7	18.2	15.3	14.1	12.5	11.2
14.0m		15.4	16.8	15.0	16.6	13.0	12.4	11.3	10.7
16.0m		11.9	13.3	11.8	13.7	11.2	11.1	9.9	9.5
18.0m		9.4	10.7	9.3	11.1	9.7	9.8	8.7	8.4
20.0m				7.3	9.1	8.5	8.8	7.8	7.4
22.0m				5.6	7.6	7.1	7.7	7.0	6.7
24.0m				4.3	6.3	5.8	6.5	6.2	6.0
26.0m				3.2	5.3	4.6	5.4	5.3	5.4
28.0m						3.7	4.4	4.4	4.5
30.0m						2.8	3.6	3.5	3.7
32.0m						2.2	2.9	2.8	3.0
34.0m						1.6	2.3	2.2	2.3
36.0m						1.1	1.8	1.7	1.8
38.0m								1.2	1.3
40.0m									0.9
θ (°)	0~81.5	0~81.5	0~81.5	0~81.5	0~81.5	0~81.5	0~81.5	27~81.5	28~81.5
Boom stage telescoping condition (%)									
Telescoping method	I, II	I	II	I	II	I	II	I	I, II
2nd boom	0	50	25	100	50	100	75	100	100
3rd boom	0	50	25	100	50	100	75	100	100
4th boom	0	0	25	0	50	50	75	90	100
5th boom	0	0	25	0	50	50	75	90	100

A= Boom length B= Working radius

[BOOM]
(Counterweight 16t, Outrigger extension width 6.36m)

Unit: ton

Performance D									
B \ A	12.2m	21.1m		30.1m		39.0m		46.2m	48.0m
2.8m	84.3	50.0	19.5						
3.0m	80.8	50.0	19.5						
3.5m	73.0	50.0	19.5						
4.0m	66.4	50.0	19.5						
4.5m	60.7	50.0	19.5	30.0	19.5				
5.0m	55.7	50.0	19.5	30.0	19.5				
6.0m	46.4	46.7	19.5	30.0	19.5				
7.0m	38.8	39.0	19.5	28.9	19.5	18.5	17.3		
8.0m	33.1	33.3	19.5	25.9	19.5	18.5	17.3		
9.0m	28.5	28.7	19.5	23.3	19.5	18.5	17.3	12.5	11.2
10.0m		24.9	19.5	21.1	19.5	18.2	16.2	12.5	11.2
12.0m		17.6	19.2	17.6	18.2	15.3	14.1	12.5	11.2
14.0m		13.1	14.6	13.1	15.1	13.0	12.4	11.3	10.7
16.0m		10.0	11.4	9.9	11.8	11.2	11.1	9.9	9.5
18.0m		7.7	9.0	7.6	9.5	9.0	9.6	8.7	8.4
20.0m				5.7	7.7	7.2	7.8	7.8	7.4
22.0m				4.2	6.3	5.7	6.4	6.4	6.5
24.0m				3.0	5.1	4.5	5.3	5.2	5.3
26.0m				2.0	4.1	3.4	4.2	4.1	4.3
28.0m						2.6	3.4	3.3	3.4
30.0m						1.8	2.6	2.5	2.7
32.0m						1.2	2.0	1.9	2.0
34.0m							1.4	1.3	1.5
36.0m							1.0		1.0
θ (°)	0~81.5	0~81.5	0~81.5	0~81.5	0~81.5	25~81.5	2~81.5	38~81.5	38~81.5
Boom stage telescoping condition (%)									
Telescoping method	I, II	I	II	I	II	I	II	I	I, II
2nd boom	0	50	25	100	50	100	75	100	100
3rd boom	0	50	25	100	50	100	75	100	100
4th boom	0	0	25	0	50	50	75	90	100
5th boom	0	0	25	0	50	50	75	90	100

A= Boom length B= Working radius

[BOOM]

(Counterweight 9t, Outrigger extension width 6.36m)

(Counterweight 16t, Outrigger extension width 4.9m)

(Counterweight 21t, Outrigger extension width 4.0m)

Unit: ton

Performance F									
B \ A	12.2m	21.1m		30.1m		39.0m		46.2m	48.0m
2.8m	74.4	50.0	19.5						
3.0m	70.8	50.0	19.5						
3.5m	63.1	50.0	19.5						
4.0m	56.6	50.0	19.5						
4.5m	51.2	50.0	19.5	30.0	19.5				
5.0m	46.6	46.8	19.5	30.0	19.5				
6.0m	38.4	38.7	19.5	30.0	19.5				
7.0m	29.3	29.6	19.5	28.9	19.5	18.5	17.3		
8.0m	23.2	23.4	19.5	23.4	19.5	18.5	17.3		
9.0m	18.9	19.1	19.5	19.1	19.5	18.5	17.3	12.5	11.2
10.0m		15.8	17.3	15.8	17.8	17.2	16.2	12.5	11.2
12.0m		11.2	12.6	11.2	13.1	12.6	13.3	12.5	11.2
14.0m		8.2	9.5	8.2	10.0	9.5	10.1	10.1	10.2
16.0m		5.9	7.3	5.8	7.7	7.3	7.9	7.8	7.9
18.0m		4.1	5.6	4.0	6.1	5.5	6.2	6.2	6.3
20.0m				2.6	4.7	4.1	4.9	4.8	4.9
22.0m				1.5	3.5	2.9	3.7	3.6	3.8
24.0m					2.6	2.0	2.7	2.7	2.8
26.0m					1.8	1.2	2.0	1.9	2.0
28.0m							1.3	1.2	1.3
θ (°)	0~81.5 *0~70	0~81.5 *0~80	0~81.5 *0~80	34~81.5	0~81.5	45~81.5	37~81.5	51~81.5	53~81.5
Boom stage telescoping condition (%)									
Telescoping method	I, II	I	II	I	II	I	II	I	I, II
2nd boom	0	50	25	100	50	100	75	100	100
3rd boom	0	50	25	100	50	100	75	100	100
4th boom	0	0	25	0	50	50	75	90	100
5th boom	0	0	25	0	50	50	75	90	100

A= Boom length B= Working radius

Values with * are for when the counterweight is 21t and the outrigger extension width is 4.0m.

[BOOM]

(Counterweight 16t, Outrigger extension width 4.0m)

(Counterweight 0t, Outrigger extension width 7.2m)

(Counterweight 9t, Outrigger extension width 4.9m)

(Counterweight 0t, Outrigger extension width 6.36m)

Unit:ton

Performance G									
B \ A	12.2m	21.1m		30.1m		39.0m		46.2m	48.0m
2.8m	72.8	50.0	19.5						
3.0m	69.2	50.0	19.5						
3.5m	61.6	50.0	19.5						
4.0m	55.2	50.0	19.5						
4.5m	49.9	50.0	19.5	30.0	19.5				
5.0m	45.3	45.5	19.5	30.0	19.5				
6.0m	33.4	33.7	19.5	30.0	19.5				
7.0m	25.3	25.6	19.5	25.6	19.5	18.5	17.3		
8.0m	19.9	20.1	19.5	20.1	19.5	18.5	17.3		
9.0m	15.9	16.1	17.8	16.1	18.3	17.7	17.3	12.5	11.2
10.0m		13.0	14.6	13.0	15.1	14.6	15.4	12.5	11.2
12.0m		8.5	10.1	8.5	10.6	10.0	10.8	10.8	10.9
14.0m		5.6	7.1	5.5	7.6	7.1	7.8	7.7	7.9
16.0m		3.3	5.0	3.3	5.5	5.0	5.7	5.7	5.8
18.0m		1.7	3.4	1.7	3.9	3.3	4.2	4.1	4.2
20.0m					2.6		2.9	2.8	2.9
22.0m					1.6		1.8		
θ (°)	0~81.5 *0~75	0~81.5	0~81.5	49~81.5	29~81.5	60~81.5	52~81.5	62~81.5	63~81.5
Boom stage telescoping condition (%)									
Telescoping method	I, II	I	II	I	II	I	II	I	I, II
2nd boom	0	50	25	100	50	100	75	100	100
3rd boom	0	50	25	100	50	100	75	100	100
4th boom	0	0	25	0	50	50	75	90	100
5th boom	0	0	25	0	50	50	75	90	100

A= Boom length B= Working radius

Values with * are for when the counterweight is 16t and the outrigger extension width is 4.0m.

[BOOM]

(Counterweight 9t, Outrigger extension width 4.0m)
 (Counterweight 0t, Outrigger extension width 4.9m)
 (Counterweight 0t, Outrigger extension width 4.0m)

Unit:ton

Performance H			
B \ A	12.2m	21.1m	
	2.8m	25.0	25.0
3.0m	25.0	25.0	19.5
3.5m	25.0	25.0	19.5
4.0m	25.0	25.0	19.5
4.5m	25.0	25.0	19.5
5.0m	25.0	25.0	19.5
6.0m	17.0	17.3	19.3
7.0m	12.1	12.4	14.2
8.0m	8.9	9.2	10.8
9.0m	6.6	6.8	8.4
10.0m		5.0	6.6
12.0m		2.3	4.0
14.0m			2.1
θ (°)	0~81.5	47~81.5	32~81.5
Boom stage telescoping condition (%)			
Telescoping method	I, II	I	II
2nd boom	0	50	25
3rd boom	0	50	25
4th boom	0	0	25
5th boom	0	0	25

[BOOM]

(Counterweight 0t, Outrigger extension width 2.53m)

Unit:ton

Performance I	
B \ A	12.2m
2.8m	8.5
3.0m	8.5
3.5m	8.5
4.0m	8.5
4.5m	8.5
5.0m	8.5
6.0m	8.0
7.0m	5.3
8.0m	3.2
9.0m	1.6
θ (°)	0~75
Boom stage telescoping condition (%)	
Telescoping method	I, II
2nd boom	0
3rd boom	0
4th boom	0
5th boom	0

A= Boom length B= Working radius

[JIB]
(Counterweight 21t, Outrigger extension width 7.2m)

Performance A

C D E (°)	46.2m Boom + 9.0m jib						46.2m Boom + 14.0m jib						46.2m Boom + 19.0m jib						Unit:ton						
	5°		25°		45°		5°		25°		45°		5°		25°		45°			60°					
	B(m)	M	B(m)	M	B(m)	M	B(m)	M	B(m)	M	B(m)	M	B(m)	M	B(m)	M	B(m)	M		B(m)	M	B(m)	M		
81.5	7.6	6.50	10.2	5.65	12.0	4.70	12.7	4.40	8.8	3.50	13.1	2.90	15.9	2.15	17.2	1.90	10.2	2.50	15.8	1.30	19.9	0.90	21.8	0.80	
80	9.9	6.50	12.3	5.65	13.9	4.70	14.6	4.40	11.2	3.50	15.3	2.90	18.0	2.15	19.1	1.90	12.8	2.50	18.2	1.30	22.0	0.90	23.7	0.80	
79	10.9	6.50	13.4	5.65	14.9	4.70	15.6	4.40	12.3	3.50	16.4	2.90	19.0	2.15	20.1	1.90	14.1	2.50	19.3	1.30	23.1	0.90	24.7	0.80	
78	12.0	6.50	14.4	5.65	15.9	4.70	16.5	4.40	13.5	3.50	17.5	2.90	20.0	2.15	21.0	1.90	15.4	2.50	20.5	1.30	24.1	0.90	25.6	0.80	
75	15.3	6.50	17.3	4.95	18.6	4.20	19.1	4.00	17.0	3.50	20.7	2.75	22.9	2.05	23.7	1.85	19.0	2.30	23.8	1.20	27.2	0.90	28.4	0.80	
73	17.2	5.90	19.2	4.55	20.4	3.95	20.8	3.80	19.2	3.50	22.7	2.65	24.8	2.00	25.5	1.85	21.3	2.10	26.0	1.15	29.1	0.85	30.2	0.75	
70	20.1	5.10	21.9	4.05	23.0	3.60	23.3	3.50	22.4	3.20	25.7	2.50	27.5	1.95	28.1	1.85	24.7	1.85	29.1	1.10	32.0	0.85	32.7	0.75	
68	21.9	4.60	23.7	3.80	24.7	3.40	24.9	3.30	24.4	2.95	27.6	2.40	29.3	1.90	29.7	1.80	26.9	1.70	31.2	1.05	33.8	0.80	34.4	0.75	
65	24.5	3.95	26.2	3.40	27.1	3.10	27.3	3.10	27.4	2.70	30.4	2.25	31.9	1.90	32.1	1.80	30.1	1.55	34.1	1.00	36.4	0.80	36.8	0.75	
63	26.2	3.55	27.9	3.15	28.7	2.95	28.8	2.95	29.3	2.55	32.2	2.20	33.5	1.85	33.6	1.80	32.2	1.45	36.0	0.95	38.1	0.80	38.3	0.75	
60	28.7	3.00	30.3	2.80	31.0	2.65			32.1	2.35	34.7	2.00	35.9	1.80			35.3	1.35	38.8	0.90	40.5	0.75			
58	30.3	2.70	31.8	2.50	32.4	2.45			33.9	2.20	36.4	1.90	37.4	1.75			37.2	1.25	40.6	0.90	42.1	0.75			
55	32.6	2.30	34.0	2.15	34.5	2.10			36.4	1.90	38.7	1.70	39.5	1.65			40.0	1.15	43.1	0.85	44.3	0.75			
53	34.0	1.90	35.3	1.80	35.7	1.75			38.0	1.60	40.1	1.50	40.8	1.45			41.8	1.10	44.7	0.85	45.6	0.75			
50	36.0	1.25	37.2	1.20	37.5	1.20			40.1	1.05	42.1	1.00	42.6	0.95			44.3	0.95	47.0	0.80	47.6	0.75			
48	37.3	0.90	38.4	0.85	38.7	0.85			41.4	0.75	43.3	0.70	43.7	0.65			45.7	0.65							
θ (°)	47 ~ 81.5		47 ~ 81.5		47 ~ 81.5		62 ~ 81.5		47 ~ 81.5		47 ~ 81.5		47 ~ 81.5		47 ~ 81.5		62 ~ 81.5		47 ~ 81.5		49 ~ 81.5		49 ~ 81.5		62 ~ 81.5

C D E (°)	48.0m Boom + 9.0m jib						48.0m Boom + 14.0m jib						48.0m Boom + 19.0m jib						Unit:ton						
	5°		25°		45°		5°		25°		45°		5°		25°		45°			60°					
	B(m)	M	B(m)	M	B(m)	M	B(m)	M	B(m)	M	B(m)	M	B(m)	M	B(m)	M	B(m)	M		B(m)	M	B(m)	M		
81.5	7.9	5.20	10.6	5.00	12.3	4.10	13.0	3.80	9.2	3.50	13.5	2.90	16.4	2.15	17.7	1.90	10.6	2.20	16.3	1.30	20.3	0.90	22.2	0.80	
80	10.1	5.20	12.8	5.00	14.3	4.10	15.0	3.80	11.7	3.50	15.9	2.90	18.5	2.15	19.6	1.90	13.2	2.20	18.7	1.30	22.5	0.90	24.2	0.80	
79	11.3	5.20	13.8	5.00	15.4	4.10	16.0	3.80	12.9	3.50	17.0	2.90	19.6	2.15	20.6	1.90	14.5	2.20	19.9	1.30	23.6	0.90	25.2	0.80	
78	12.4	5.20	14.9	4.95	16.4	4.05	16.9	3.80	14.1	3.50	18.2	2.90	20.6	2.15	21.6	1.90	15.9	2.20	21.1	1.30	24.7	0.90	26.2	0.80	
75	15.7	5.20	17.8	4.20	19.2	3.55	19.6	3.35	17.8	3.50	21.4	2.70	23.6	2.05	24.4	1.85	19.7	2.20	24.5	1.20	27.8	0.85	29.1	0.80	
73	17.8	4.90	19.8	3.80	21.0	3.25	21.4	3.10	20.1	3.50	23.5	2.55	25.6	2.00	26.3	1.85	22.1	2.00	26.8	1.15	29.9	0.85	30.9	0.75	
70	20.7	4.10	22.6	3.30	23.7	2.90	24.0	2.80	23.3	2.95	26.5	2.20	28.4	1.85	28.9	1.75	25.7	1.80	30.0	1.05	32.8	0.80	33.6	0.75	
68	22.6	3.65	24.4	3.00	25.4	2.65	25.7	2.60	25.3	2.65	28.4	2.00	30.2	1.70	30.6	1.65	27.9	1.65	32.2	1.05	34.7	0.80	35.3	0.75	
65	25.4	3.15	27.0	2.60	27.9	2.35	28.1	2.35	28.3	2.25	31.2	1.75	32.8	1.55	33.0	1.50	31.2	1.50	35.2	0.95	37.5	0.80	37.8	0.75	
63	27.1	2.85	28.8	2.40	29.6	2.20	29.6	2.20	30.2	2.05	33.0	1.60	34.4	1.40	34.5	1.40	33.4	1.40	37.2	0.95	39.2	0.75	39.4	0.75	
60	29.7	2.45	31.2	2.10	31.9	1.95			33.1	1.75	35.6	1.40	36.9	1.30			36.5	1.30	40.0	0.90	41.7	0.75			
58	31.4	2.25	32.9	1.95	33.5	1.85			34.9	1.60	37.3	1.30	38.4	1.20			38.5	1.20	41.8	0.85	43.3	0.75			
55	33.8	1.90	35.2	1.75	35.6	1.65			37.5	1.40	39.7	1.15	40.6	1.10			41.3	1.05	44.4	0.80	45.6	0.75			
53	35.3	1.55	36.6	1.55	37.0	1.50			39.2	1.25	41.3	1.05	42.0	1.00			43.1	0.95	46.0	0.75	47.0	0.70			
50	37.4	0.95	38.6	0.95	38.9	0.95			41.1	0.80	43.4	0.75	43.9	0.70			45.6	0.70	48.3	0.60					
48	38.7	0.60	39.8	0.60	40.0	0.60																			
θ (°)	47 ~ 81.5		47 ~ 81.5		47 ~ 81.5		62 ~ 81.5		49 ~ 81.5		49 ~ 81.5		49 ~ 81.5		62 ~ 81.5		49 ~ 81.5		49 ~ 81.5		49 ~ 81.5		52 ~ 81.5		62 ~ 81.5

B= Working radius C= jib length D= jib offset E= Boom angle M= Total rated loads

[JIB]
 (Counterweight 16t, Outrigger extension width 7.2m)

Performance B

C E (°)	46.2m Boom + 9.0m Jib						46.2m Boom + 14.0m Jib						46.2m Boom + 19.0m Jib						Unit:ton					
	5°		25°		45°		5°		25°		45°		5°		25°		45°			60°				
	B(m)	M	B(m)	M	B(m)	M	B(m)	M	B(m)	M	B(m)	M	B(m)	M	B(m)	M	B(m)	M		B(m)	M			
81.5	7.6	6.50	10.2	5.65	12.0	4.70	12.7	4.40	8.8	3.50	13.1	2.90	15.9	2.15	17.2	1.90	10.2	2.50	15.8	1.30	19.9	0.90	21.8	0.80
80	9.9	6.50	12.3	5.65	13.9	4.70	14.6	4.40	11.2	3.50	15.3	2.90	18.0	2.15	19.1	1.90	12.8	2.50	18.2	1.30	22.0	0.90	23.7	0.80
79	10.9	6.50	13.4	5.65	14.9	4.70	15.6	4.40	12.3	3.50	16.4	2.90	19.0	2.15	20.1	1.90	14.1	2.50	19.3	1.30	23.1	0.90	24.7	0.80
78	12.0	6.50	14.4	5.65	15.9	4.70	16.5	4.40	13.5	3.50	17.5	2.90	20.0	2.15	21.0	1.90	15.4	2.50	20.5	1.30	24.1	0.90	25.6	0.80
75	15.3	6.50	17.3	4.95	18.6	4.20	19.1	4.00	17.0	3.50	20.7	2.75	22.9	2.05	23.7	1.85	19.0	2.30	23.8	1.20	27.2	0.90	28.4	0.80
73	17.2	5.90	19.2	4.55	20.4	3.95	20.8	3.80	19.2	3.50	22.7	2.65	24.8	2.00	25.5	1.85	21.3	2.10	26.0	1.15	29.1	0.85	30.2	0.75
70	20.1	5.10	21.9	4.05	23.0	3.60	23.3	3.50	22.4	3.20	25.7	2.50	27.5	1.95	28.1	1.85	24.7	1.85	29.1	1.10	32.0	0.85	32.7	0.75
68	21.9	4.60	23.7	3.80	24.7	3.40	24.9	3.30	24.4	2.95	27.6	2.40	29.3	1.90	29.7	1.80	26.9	1.70	31.2	1.05	33.8	0.80	34.4	0.75
65	24.5	3.95	26.2	3.40	27.1	3.10	27.3	3.10	27.4	2.70	30.4	2.25	31.9	1.90	32.1	1.80	30.1	1.55	34.1	1.00	36.4	0.80	36.8	0.75
63	26.2	3.55	27.9	3.15	28.7	2.95	28.8	2.95	29.3	2.55	32.2	2.20	33.5	1.85	33.6	1.80	32.2	1.45	36.0	0.95	38.1	0.80	38.3	0.75
60	28.6	2.80	30.2	2.60	30.9	2.50			32.1	2.35	34.7	2.00	35.9	1.80			35.3	1.35	38.8	0.90	40.5	0.75		
58	30.1	2.25	31.6	2.10	32.3	2.05			33.7	1.90	36.3	1.75	37.4	1.65			37.2	1.25	40.6	0.90	42.1	0.75		
55	32.3	1.50	33.7	1.40	34.2	1.40			36.0	1.25	38.4	1.15	39.3	1.10			40.0	1.15	43.1	0.85	44.3	0.75		
53	33.7	1.05	35.0	1.00	35.5	0.95			37.5	0.85	39.7	0.80												
θ (°)	52 ~ 81.5	52 ~ 81.5	52 ~ 81.5	52 ~ 81.5	52 ~ 81.5	52 ~ 81.5	62 ~ 81.5	62 ~ 81.5	52 ~ 81.5	52 ~ 81.5	52 ~ 81.5	52 ~ 81.5	54 ~ 81.5	54 ~ 81.5	62 ~ 81.5	62 ~ 81.5	54 ~ 81.5	54 ~ 81.5	54 ~ 81.5	54 ~ 81.5	54 ~ 81.5	54 ~ 81.5	54 ~ 81.5	62 ~ 81.5

C E (°)	48.0m Boom + 9.0m Jib						48.0m Boom + 14.0m Jib						48.0m Boom + 19.0m Jib						Unit:ton					
	5°		25°		45°		5°		25°		45°		5°		25°		45°			60°				
	B(m)	M	B(m)	M	B(m)	M	B(m)	M	B(m)	M	B(m)	M	B(m)	M	B(m)	M	B(m)	M		B(m)	M			
81.5	7.9	5.20	10.6	5.00	12.3	4.10	13.0	3.80	9.2	3.50	13.5	2.90	16.4	2.15	17.7	1.90	10.6	2.20	16.3	1.30	20.3	0.90	22.2	0.80
80	10.1	5.20	12.8	5.00	14.3	4.10	15.0	3.80	11.7	3.50	15.9	2.90	18.5	2.15	19.6	1.90	13.2	2.20	18.7	1.30	22.5	0.90	24.2	0.80
79	11.3	5.20	13.8	5.00	15.4	4.10	16.0	3.80	12.9	3.50	17.0	2.90	19.6	2.15	20.6	1.90	14.5	2.20	19.9	1.30	23.6	0.90	25.2	0.80
78	12.4	5.20	14.9	4.95	16.4	4.05	16.9	3.80	14.1	3.50	18.2	2.90	20.6	2.15	21.6	1.90	15.9	2.20	21.1	1.30	24.7	0.90	26.2	0.80
75	15.7	5.20	17.8	4.20	19.2	3.55	19.6	3.35	17.8	3.50	21.4	2.70	23.6	2.05	24.4	1.85	19.7	2.20	24.5	1.20	27.8	0.85	29.1	0.80
73	17.8	4.90	19.8	3.80	21.0	3.25	21.4	3.10	20.1	3.50	23.5	2.55	25.6	2.00	26.3	1.85	22.1	2.00	26.8	1.15	29.9	0.85	30.9	0.75
70	20.7	4.10	22.6	3.30	23.7	2.90	24.0	2.80	23.3	2.95	26.5	2.20	28.4	1.85	28.9	1.75	25.7	1.80	30.0	1.05	32.8	0.80	33.6	0.75
68	22.6	3.65	24.4	3.00	25.4	2.65	25.7	2.60	25.3	2.65	28.4	2.00	30.2	1.70	30.6	1.65	27.9	1.65	32.2	1.05	34.7	0.80	35.3	0.75
65	25.4	3.15	27.0	2.60	27.9	2.35	28.1	2.35	28.3	2.25	31.2	1.75	32.8	1.55	33.0	1.50	31.2	1.50	35.2	0.95	37.5	0.80	37.8	0.75
63	27.1	2.85	28.8	2.40	29.6	2.20	29.6	2.20	30.2	2.05	33.0	1.60	34.4	1.40	34.5	1.40	33.4	1.40	37.2	0.95	39.2	0.75	39.4	0.75
60	29.7	2.45	31.2	2.10	31.9	1.95			33.1	1.75	35.6	1.40	36.9	1.30			36.5	1.30	40.0	0.90	41.7	0.75		
58	31.3	1.90	32.8	1.85	33.5	1.80			34.9	1.60	37.3	1.30	38.4	1.20			38.5	1.20	41.8	0.85	43.3	0.75		
55	33.5	1.15	34.9	1.15	35.4	1.10			37.2	0.95	39.6	0.90												
θ (°)	54 ~ 81.5	54 ~ 81.5	54 ~ 81.5	54 ~ 81.5	54 ~ 81.5	54 ~ 81.5	62 ~ 81.5	62 ~ 81.5	54 ~ 81.5	54 ~ 81.5	54 ~ 81.5	54 ~ 81.5	57 ~ 81.5	57 ~ 81.5	62 ~ 81.5	62 ~ 81.5	57 ~ 81.5	57 ~ 81.5	57 ~ 81.5	57 ~ 81.5	57 ~ 81.5	57 ~ 81.5	57 ~ 81.5	62 ~ 81.5

B= Working radius C= jib length D= jib offset E= Boom angle M= Total rated loads

[JIB]
(Counterweight 21t, Outrigger extension width 6.36m)

Performance C

C D E (°)	46.2m Boom + 9.0m Jib						46.2m Boom + 14.0m Jib						46.2m Boom + 19.0m Jib						Unit:ton					
	5°		25°		45°		5°		25°		45°		5°		25°		45°			60°				
	B(m)	M	B(m)	M	B(m)	M	B(m)	M	B(m)	M	B(m)	M	B(m)	M	B(m)	M	B(m)	M		B(m)	M	B(m)	M	
81.5	7.6	6.50	10.2	5.65	12.0	4.70	12.7	4.40	8.8	3.50	13.1	2.90	15.9	2.15	17.2	1.90	10.2	2.50	15.8	1.30	19.9	0.90	21.8	0.80
80	9.9	6.50	12.3	5.65	13.9	4.70	14.6	4.40	11.2	3.50	15.3	2.90	18.0	2.15	19.1	1.90	12.8	2.50	18.2	1.30	22.0	0.90	23.7	0.80
79	10.9	6.50	13.4	5.65	14.9	4.70	15.6	4.40	12.3	3.50	16.4	2.90	19.0	2.15	20.1	1.90	14.1	2.50	19.3	1.30	23.1	0.90	24.7	0.80
78	12.0	6.50	14.4	5.65	15.9	4.70	16.5	4.40	13.5	3.50	17.5	2.90	20.0	2.15	21.0	1.90	15.4	2.50	20.5	1.30	24.1	0.90	25.6	0.80
75	15.3	6.50	17.3	4.95	18.6	4.20	19.1	4.00	17.0	3.50	20.7	2.75	22.9	2.05	23.7	1.85	19.0	2.30	23.8	1.20	27.2	0.90	28.4	0.80
73	17.2	5.90	19.2	4.55	20.4	3.95	20.8	3.80	19.2	3.50	22.7	2.65	24.8	2.00	25.5	1.85	21.3	2.10	26.0	1.15	29.1	0.85	30.2	0.75
70	20.1	5.10	21.9	4.05	23.0	3.60	23.3	3.50	22.4	3.20	25.7	2.50	27.5	1.95	28.1	1.85	24.7	1.85	29.1	1.10	32.0	0.85	32.7	0.75
68	21.9	4.60	23.7	3.80	24.7	3.40	24.9	3.30	24.4	2.95	27.6	2.40	29.3	1.90	29.7	1.80	26.9	1.70	31.2	1.05	33.8	0.80	34.4	0.75
65	24.5	3.95	26.2	3.40	27.1	3.10	27.3	3.10	27.0	2.70	30.4	2.25	31.9	1.90	32.1	1.80	30.1	1.55	34.1	1.00	36.4	0.80	36.8	0.75
63	26.2	3.55	27.9	3.15	28.7	2.95	28.8	2.95	29.3	2.55	32.2	2.20	33.5	1.85	33.6	1.80	32.2	1.45	36.0	0.95	38.1	0.80	38.3	0.75
60	28.7	3.00	30.3	2.80	31.0	2.65			32.1	2.35	34.7	2.00	35.9	1.80			35.3	1.35	38.8	0.90	40.5	0.75		
58	30.3	2.65	31.8	2.50	32.4	2.40			33.9	2.20	36.4	1.90	37.4	1.75			37.2	1.25	40.6	0.90	42.1	0.75		
55	32.4	1.80	33.8	1.70	34.3	1.65			36.2	1.55	38.5	1.40	39.4	1.35			40.0	1.15	43.1	0.85	44.3	0.75		
53	33.8	1.35	35.1	1.30	35.6	1.25			37.6	1.10	39.9	1.05	40.6	1.00			41.7	1.05	44.7	0.85	45.6	0.75		
50	35.8	0.75																						
θ (°)	49 ~ 81.5		52 ~ 81.5		52 ~ 81.5		62 ~ 81.5		52 ~ 81.5		52 ~ 81.5		62 ~ 81.5		62 ~ 81.5		52 ~ 81.5		52 ~ 81.5		52 ~ 81.5		62 ~ 81.5	

C D E (°)	48.0m Boom + 9.0m Jib						48.0m Boom + 14.0m Jib						48.0m Boom + 19.0m Jib						Unit:ton					
	5°		25°		45°		5°		25°		45°		5°		25°		45°			60°				
	B(m)	M	B(m)	M	B(m)	M	B(m)	M	B(m)	M	B(m)	M	B(m)	M	B(m)	M	B(m)	M		B(m)	M	B(m)	M	
81.5	7.9	5.20	10.6	5.00	12.3	4.10	13.0	3.80	9.2	3.50	13.5	2.90	16.4	2.15	17.7	1.90	10.6	2.20	16.3	1.30	20.3	0.90	22.2	0.80
80	10.1	5.20	12.8	5.00	14.3	4.10	15.0	3.80	11.7	3.50	15.9	2.90	18.5	2.15	19.6	1.90	13.2	2.20	18.7	1.30	22.5	0.90	24.2	0.80
79	11.3	5.20	13.8	5.00	15.4	4.10	16.0	3.80	12.9	3.50	17.0	2.90	19.6	2.15	20.6	1.90	14.5	2.20	19.9	1.30	23.6	0.90	25.2	0.80
78	12.4	5.20	14.9	4.95	16.4	4.05	16.9	3.80	14.1	3.50	18.2	2.90	20.6	2.15	21.6	1.90	15.9	2.20	21.1	1.30	24.7	0.90	26.2	0.80
75	15.7	5.20	17.8	4.20	19.2	3.55	19.6	3.35	17.8	3.50	21.4	2.70	23.6	2.05	24.4	1.85	19.7	2.20	24.5	1.20	27.8	0.85	29.1	0.80
73	17.8	4.90	19.8	3.80	21.0	3.25	21.4	3.10	20.1	3.50	23.5	2.55	25.6	2.00	26.3	1.85	22.1	2.00	26.8	1.15	29.9	0.85	30.9	0.75
70	20.7	4.10	22.6	3.30	23.7	2.90	24.0	2.80	23.3	2.95	26.5	2.20	28.4	1.85	28.9	1.75	25.7	1.80	30.0	1.05	32.8	0.80	33.6	0.75
68	22.6	3.65	24.4	3.00	25.4	2.65	25.7	2.65	25.3	2.65	28.4	2.00	30.2	1.70	30.6	1.65	27.9	1.65	32.2	1.05	34.7	0.80	35.3	0.75
65	25.4	3.15	27.0	2.60	27.9	2.35	28.1	2.35	28.3	2.25	31.2	1.75	32.8	1.55	33.0	1.50	31.2	1.50	35.2	0.95	37.5	0.80	37.8	0.75
63	27.1	2.85	28.8	2.40	29.6	2.20	29.6	2.20	30.2	2.05	33.0	1.60	34.4	1.40	34.5	1.40	33.4	1.40	37.2	0.95	39.2	0.75	39.4	0.75
60	29.7	2.45	31.2	2.10	31.9	1.95			33.1	1.75	35.6	1.40	36.9	1.30			36.5	1.30	40.0	0.90	41.7	0.75		
58	31.4	2.25	32.9	1.95	33.5	1.85			34.9	1.60	37.3	1.30	38.4	1.20			38.5	1.20	41.8	0.85	43.3	0.75		
55	33.6	1.45	35.0	1.45	35.5	1.40			37.4	1.20	39.7	1.15	40.6	1.10			41.3	1.05	44.4	0.80	45.6	0.75		
53	35.1	1.05	36.4	1.00	36.8	1.00			38.9	0.85														
θ (°)	52 ~ 81.5		52 ~ 81.5		52 ~ 81.5		62 ~ 81.5		52 ~ 81.5		52 ~ 81.5		62 ~ 81.5		62 ~ 81.5		52 ~ 81.5		52 ~ 81.5		52 ~ 81.5		62 ~ 81.5	

B= Working radius C= jib length D= jib offset E= Boom angle M= Total rated loads

[JIB]
(Counterweight 16t, Outrigger extension width 6.36m)

Performance D

C D	46.2m Boom + 9.0m Jib						46.2m Boom + 14.0m Jib						46.2m Boom + 19.0m Jib						Unit:ton					
	5°		25°		45°		5°		25°		45°		5°		25°		45°			60°				
	B(m)	M	B(m)	M	B(m)	M	B(m)	M	B(m)	M	B(m)	M	B(m)	M	B(m)	M	B(m)	M		B(m)	M	B(m)	M	
E(°)	81.5	7.6	6.50	10.2	5.65	12.0	4.70	12.7	4.40	13.1	2.90	15.9	2.15	17.2	1.90	10.2	2.50	15.8	1.30	19.9	0.90	21.8	0.80	
	80	9.9	6.50	12.3	5.65	13.9	4.70	14.6	4.40	11.2	3.50	15.3	2.90	18.0	2.15	12.8	2.50	18.2	1.30	22.0	0.90	23.7	0.80	
	79	10.9	6.50	13.4	5.65	14.9	4.70	15.6	4.40	12.3	3.50	16.4	2.90	19.0	2.15	14.1	2.50	19.3	1.30	23.1	0.90	24.7	0.80	
	78	12.0	6.50	14.4	5.65	15.9	4.70	16.5	4.40	13.5	3.50	17.5	2.90	20.0	2.15	15.4	2.50	20.5	1.30	24.1	0.90	25.6	0.80	
	75	15.3	6.50	17.3	4.95	18.6	4.20	19.1	4.00	17.0	3.50	20.7	2.75	22.9	2.05	19.0	2.30	23.8	1.20	27.2	0.90	28.4	0.80	
	73	17.2	5.90	19.2	4.55	20.4	3.95	20.8	3.80	19.2	3.50	22.7	2.65	24.8	2.00	21.3	2.10	26.0	1.15	29.1	0.85	30.2	0.75	
	70	20.1	5.10	21.9	4.05	23.0	3.60	23.3	3.50	22.4	3.20	25.7	2.50	27.5	1.95	24.7	1.85	29.1	1.10	32.0	0.85	32.7	0.75	
	68	21.9	4.60	23.7	3.80	24.7	3.40	24.9	3.30	24.4	2.95	27.6	2.40	29.3	1.90	26.9	1.70	31.2	1.05	33.8	0.80	34.4	0.75	
	65	24.5	3.95	26.2	3.40	27.1	3.10	27.3	3.10	27.4	2.70	30.4	2.25	31.9	1.90	30.1	1.55	34.1	1.00	36.4	0.80	36.8	0.75	
	63	26.1	3.30	27.9	3.05	28.7	2.90	28.8	2.90	29.3	2.55	32.2	2.20	33.5	1.85	32.2	1.45	36.0	0.95	38.1	0.80	38.3	0.75	
	60	28.4	2.20	30.0	2.10	30.8	2.00	31.9	1.90	34.6	1.70	35.8	1.60	35.3	1.35	35.3	1.35	38.8	0.90	40.5	0.75			
	58	29.9	1.60	31.4	1.55	32.1	1.45	33.4	1.35	36.0	1.25	37.1	1.15	37.2	1.25	37.2	1.25	40.6	0.90					
θ (°)	57 ~ 81.5	57 ~ 81.5	57 ~ 81.5	57 ~ 81.5	57 ~ 81.5	57 ~ 81.5	57 ~ 81.5	57 ~ 81.5	57 ~ 81.5	57 ~ 81.5	57 ~ 81.5	57 ~ 81.5	57 ~ 81.5	57 ~ 81.5	57 ~ 81.5	57 ~ 81.5	57 ~ 81.5	57 ~ 81.5	57 ~ 81.5	57 ~ 81.5	59 ~ 81.5	59 ~ 81.5	62 ~ 81.5	62 ~ 81.5

C D	48.0m Boom + 9.0m Jib						48.0m Boom + 14.0m Jib						48.0m Boom + 19.0m Jib						Unit:ton						
	5°		25°		45°		5°		25°		45°		5°		25°		45°			60°					
	B(m)	M	B(m)	M	B(m)	M	B(m)	M	B(m)	M	B(m)	M	B(m)	M	B(m)	M	B(m)	M		B(m)	M	B(m)	M		
E(°)	81.5	7.9	5.20	10.6	5.00	12.3	4.10	13.0	3.80	9.2	3.50	13.5	2.90	16.4	2.15	17.7	1.90	10.6	2.20	16.3	1.30	20.3	0.90	22.2	0.80
	80	10.1	5.20	12.8	5.00	14.3	4.10	15.0	3.80	11.7	3.50	15.9	2.90	18.5	2.15	19.6	1.90	13.2	2.20	18.7	1.30	22.5	0.90	24.2	0.80
	79	11.3	5.20	13.8	5.00	15.4	4.10	16.0	3.80	12.9	3.50	17.0	2.90	19.6	2.15	20.6	1.90	14.5	2.20	19.9	1.30	23.6	0.90	25.2	0.80
	78	12.4	5.20	14.9	4.95	16.4	4.05	16.9	3.80	14.1	3.50	18.2	2.90	20.6	2.15	21.6	1.90	15.9	2.20	21.1	1.30	24.7	0.90	26.2	0.80
	75	15.7	5.20	17.8	4.20	19.2	3.55	19.6	3.35	17.8	3.50	21.4	2.70	23.6	2.05	24.4	1.85	19.7	2.20	24.5	1.20	27.8	0.85	29.1	0.80
	73	17.8	4.90	19.8	3.80	21.0	3.25	21.4	3.10	20.1	3.50	23.5	2.55	25.6	2.00	26.3	1.85	22.1	2.00	26.8	1.15	29.9	0.85	30.9	0.75
	70	20.7	4.10	22.6	3.30	23.7	2.90	24.0	2.80	23.3	2.95	26.5	2.20	28.4	1.85	28.9	1.75	25.7	1.80	30.0	1.05	32.8	0.80	33.6	0.75
	68	22.6	3.65	24.4	3.00	25.4	2.65	25.7	2.60	25.3	2.65	28.4	2.00	30.2	1.70	30.6	1.65	27.9	1.65	32.2	1.05	34.7	0.80	35.3	0.75
	65	25.4	3.15	27.0	2.60	27.9	2.35	28.1	2.35	28.3	2.25	31.2	1.75	32.8	1.55	33.0	1.50	31.2	1.50	35.2	0.95	37.5	0.80	37.8	0.75
	63	27.1	2.85	28.8	2.40	29.6	2.20	29.6	2.20	30.2	2.05	33.0	1.60	34.4	1.40	34.5	1.40	33.4	1.40	37.2	0.95	39.2	0.75	39.4	0.75
	60	29.5	1.85	31.1	1.80	31.8	1.70			32.9	1.55	35.6	1.40	36.9	1.30			36.5	1.30	40.0	0.90	41.7	0.75		
	58																								
θ (°)	59 ~ 81.5	57 ~ 81.5	57 ~ 81.5	57 ~ 81.5	57 ~ 81.5	59 ~ 81.5	59 ~ 81.5	59 ~ 81.5	59 ~ 81.5	59 ~ 81.5	59 ~ 81.5	59 ~ 81.5	59 ~ 81.5	59 ~ 81.5	59 ~ 81.5	59 ~ 81.5	59 ~ 81.5	59 ~ 81.5	59 ~ 81.5	59 ~ 81.5	59 ~ 81.5	59 ~ 81.5	62 ~ 81.5	62 ~ 81.5	

B= Working radius C= jib length D= jib offset E= Boom angle M= Total rated loads

[JIB]
 (Counterweight 9t, Outrigger extension width 7.2m)
 (Counterweight 21t, Outrigger extension width 4.9m)
 Performance E

C D E (°)	46.2m Boom + 9.0m Jib						46.2m Boom + 14.0m Jib						46.2m Boom + 19.0m Jib						Unit:ton					
	5°		25°		45°		5°		25°		45°		5°		25°		45°			60°				
	B(m)	M	B(m)	M	B(m)	M	B(m)	M	B(m)	M	B(m)	M	B(m)	M	B(m)	M	B(m)	M		B(m)	M	B(m)	M	
81.5	7.6	6.50	10.2	5.65	12.0	4.70	12.7	4.40	8.8	3.50	13.1	2.90	15.9	2.15	17.2	1.90	10.2	2.50	15.8	1.30	19.9	0.90	21.8	0.80
80	9.9	6.50	12.3	5.65	13.9	4.70	14.6	4.40	11.2	3.50	15.3	2.90	18.0	2.15	19.1	1.90	12.8	2.50	18.2	1.30	22.0	0.90	23.7	0.80
79	10.9	6.50	13.4	5.65	14.9	4.70	15.6	4.40	12.3	3.50	16.4	2.90	19.0	2.15	20.1	1.90	14.1	2.50	19.3	1.30	23.1	0.90	24.7	0.80
78	12.0	6.50	14.4	5.65	15.9	4.70	16.5	4.40	13.5	3.50	17.5	2.90	20.0	2.15	21.0	1.90	15.4	2.50	20.5	1.30	24.1	0.90	25.6	0.80
75	15.3	6.50	17.3	4.95	18.6	4.20	19.1	4.00	17.0	3.50	20.7	2.75	22.9	2.05	23.7	1.85	19.0	2.30	23.8	1.20	27.2	0.90	28.4	0.80
73	17.2	5.90	19.2	4.55	20.4	3.95	20.8	3.80	19.2	3.50	22.7	2.65	24.8	2.00	25.5	1.85	21.3	2.10	26.0	1.15	29.1	0.85	30.2	0.75
70	20.1	5.10	21.9	4.05	23.0	3.60	23.3	3.50	22.4	3.20	25.7	2.50	27.5	1.95	28.1	1.85	24.7	1.85	29.1	1.10	32.0	0.85	32.7	0.75
68	21.7	4.05	23.6	3.70	24.7	3.40	24.9	3.30	24.4	2.95	27.6	2.40	29.3	1.90	29.7	1.80	26.9	1.70	31.2	1.05	33.8	0.80	34.4	0.75
65	24.1	2.80	25.9	2.60	26.9	2.45	27.1	2.40	30.3	2.10	31.9	1.90	32.1	1.80	30.1	1.55	34.1	1.55	34.1	1.00	36.4	0.80	36.8	0.75
63	25.7	2.15	27.5	2.00	28.4	1.90	28.4	1.85	28.9	1.80	31.8	1.60	33.4	1.50	33.5	1.50	32.2	1.45	36.0	0.95	38.1	0.80	38.3	0.75
θ (°)	62 ~ 81.5	62 ~ 81.5	62 ~ 81.5	62 ~ 81.5	62 ~ 81.5	62 ~ 81.5	62 ~ 81.5	62 ~ 81.5	62 ~ 81.5	62 ~ 81.5	62 ~ 81.5	62 ~ 81.5	62 ~ 81.5	62 ~ 81.5	62 ~ 81.5	62 ~ 81.5	62 ~ 81.5	62 ~ 81.5	62 ~ 81.5	62 ~ 81.5	62 ~ 81.5	62 ~ 81.5	62 ~ 81.5	62 ~ 81.5

C D E (°)	48.0m Boom + 9.0m Jib						48.0m Boom + 14.0m Jib						48.0m Boom + 19.0m Jib						Unit:ton					
	5°		25°		45°		5°		25°		45°		5°		25°		45°			60°				
	B(m)	M	B(m)	M	B(m)	M	B(m)	M	B(m)	M	B(m)	M	B(m)	M	B(m)	M	B(m)	M		B(m)	M	B(m)	M	
81.5	7.9	5.20	10.6	5.00	12.3	4.10	13.0	3.80	9.2	3.50	13.5	2.90	16.4	2.15	17.7	1.90	10.6	2.20	16.3	1.30	20.3	0.90	22.2	0.80
80	10.1	5.20	12.8	5.00	14.3	4.10	15.0	3.80	11.7	3.50	15.9	2.90	18.5	2.15	19.6	1.90	13.2	2.20	18.7	1.30	22.5	0.90	24.2	0.80
79	11.3	5.20	13.8	5.00	15.4	4.10	16.0	3.80	12.9	3.50	17.0	2.90	19.6	2.15	20.6	1.90	14.5	2.20	19.9	1.30	23.6	0.90	25.2	0.80
78	12.4	5.20	14.9	4.95	16.4	4.05	16.9	3.80	14.1	3.50	18.2	2.90	20.6	2.15	21.6	1.90	15.9	2.20	21.1	1.30	24.7	0.90	26.2	0.80
75	15.7	5.20	17.8	4.20	19.2	3.55	19.6	3.35	17.8	3.50	21.4	2.70	23.6	2.05	24.4	1.85	19.7	2.20	24.5	1.20	27.8	0.85	29.1	0.80
73	17.8	4.90	19.8	3.80	21.0	3.25	21.4	3.10	20.1	3.50	23.5	2.55	25.6	2.00	26.3	1.85	22.1	2.00	26.8	1.15	29.9	0.85	30.9	0.75
70	20.7	4.10	22.6	3.30	23.7	2.90	24.0	2.80	23.3	2.95	26.5	2.20	28.4	1.85	28.9	1.75	25.7	1.80	30.0	1.05	32.8	0.80	33.6	0.75
68	22.6	3.60	24.4	3.00	25.4	2.65	25.7	2.60	25.3	2.65	28.4	2.00	30.2	1.70	30.6	1.65	27.9	1.65	32.2	1.05	34.7	0.80	35.3	0.75
65	25.1	2.45	26.9	2.30	27.9	2.20	28.0	2.15	28.2	2.05	31.2	1.75	32.8	1.55	33.0	1.50	31.2	1.50	35.2	0.95	37.5	0.80	37.8	0.75
63	26.7	1.80	28.5	1.75	29.4	1.65	29.4	1.65	29.9	1.50	32.8	1.35	34.3	1.25	34.5	1.25								
θ (°)	62 ~ 81.5	62 ~ 81.5	62 ~ 81.5	62 ~ 81.5	62 ~ 81.5	62 ~ 81.5	62 ~ 81.5	62 ~ 81.5	62 ~ 81.5	62 ~ 81.5	62 ~ 81.5	62 ~ 81.5	62 ~ 81.5	62 ~ 81.5	62 ~ 81.5	62 ~ 81.5	62 ~ 81.5	62 ~ 81.5	62 ~ 81.5	62 ~ 81.5	62 ~ 81.5	62 ~ 81.5	62 ~ 81.5	62 ~ 81.5

B= Working radius C= jib length D= jib offset E= Boom angle M= Total rated loads

[JIB]
 (Counterweight 9t, Outrigger extension width 6.36m)
 (Counterweight 16t, Outrigger extension width 4.9m)
Performance F

C D	46.2m Boom + 9.0m Jib						46.2m Boom + 14.0m Jib						46.2m Boom + 19.0m Jib						Unit:ton					
	5°		25°		45°		5°		25°		45°		5°		25°		45°			60°				
	B(m)	M	B(m)	M	B(m)	M	B(m)	M	B(m)	M	B(m)	M	B(m)	M	B(m)	M	B(m)	M		B(m)	M			
81.5	7.6	6.50	10.2	5.65	12.0	4.70	12.7	4.40	8.8	3.50	13.1	2.90	15.9	2.15	17.2	1.90	10.2	2.50	15.8	1.30	19.9	0.90	21.8	0.80
80	9.9	6.50	12.3	5.65	13.9	4.70	14.6	4.40	11.2	3.50	15.3	2.90	18.0	2.15	19.1	1.90	12.8	2.50	18.2	1.30	22.0	0.90	23.7	0.80
79	10.9	6.50	13.4	5.65	14.9	4.70	15.6	4.40	12.3	3.50	16.4	2.90	19.0	2.15	20.1	1.90	14.1	2.50	19.3	1.30	23.1	0.90	24.7	0.80
78	12.0	6.50	14.4	5.65	15.9	4.70	16.5	4.40	13.5	3.50	17.5	2.90	20.0	2.15	21.0	1.90	15.4	2.50	20.5	1.30	24.1	0.90	25.6	0.80
75	15.3	6.50	17.3	4.95	18.6	4.20	19.1	4.00	17.0	3.50	20.7	2.75	22.9	2.05	23.7	1.85	19.0	2.30	23.8	1.20	27.2	0.90	28.4	0.80
73	17.2	5.90	19.2	4.55	20.4	3.95	20.8	3.80	19.2	3.50	22.7	2.65	24.8	2.00	25.5	1.85	21.3	2.10	26.0	1.15	29.1	0.85	30.2	0.75
70	19.8	4.40	21.9	4.00	23.0	3.60	23.3	3.50	22.4	3.20	25.7	2.50	27.5	1.95	28.1	1.85	24.7	1.85	29.1	1.10	32.0	0.85	32.7	0.75
68	21.4	3.30	23.4	3.00	24.5	2.80	24.7	2.75	24.3	2.80	27.6	2.40	29.3	1.90	29.7	1.80	26.9	1.70	31.2	1.05	33.8	0.80	34.4	0.75
θ (°)	67 ~ 81.5	67 ~ 81.5	67 ~ 81.5	67 ~ 81.5	67 ~ 81.5	67 ~ 81.5	67 ~ 81.5	67 ~ 81.5	67 ~ 81.5	67 ~ 81.5	67 ~ 81.5	67 ~ 81.5	67 ~ 81.5	67 ~ 81.5	67 ~ 81.5	67 ~ 81.5	67 ~ 81.5	67 ~ 81.5	67 ~ 81.5	67 ~ 81.5	67 ~ 81.5	67 ~ 81.5	67 ~ 81.5	67 ~ 81.5

C D	48.0m Boom + 9.0m Jib						48.0m Boom + 14.0m Jib						48.0m Boom + 19.0m Jib						Unit:ton					
	5°		25°		45°		5°		25°		45°		5°		25°		45°			60°				
	B(m)	M	B(m)	M	B(m)	M	B(m)	M	B(m)	M	B(m)	M	B(m)	M	B(m)	M	B(m)	M		B(m)	M			
81.5	7.9	5.20	10.6	5.00	12.3	4.10	13.0	3.80	9.2	3.50	13.5	2.90	16.4	2.15	17.7	1.90	10.6	2.20	16.3	1.30	20.3	0.90	22.2	0.80
80	10.1	5.20	12.8	5.00	14.3	4.10	15.0	3.80	11.7	3.50	15.9	2.90	18.5	2.15	19.6	1.90	13.2	2.20	18.7	1.30	22.5	0.90	24.2	0.80
79	11.3	5.20	13.8	5.00	15.4	4.10	16.0	3.80	12.9	3.50	17.0	2.90	19.6	2.15	20.6	1.90	14.5	2.20	19.9	1.30	23.6	0.90	25.2	0.80
78	12.4	5.20	14.9	4.95	16.4	4.05	16.9	3.80	14.1	3.50	18.2	2.90	20.6	2.15	21.6	1.90	15.9	2.20	21.1	1.30	24.7	0.90	26.2	0.80
75	15.7	5.20	17.8	4.20	19.2	3.55	19.6	3.35	17.8	3.50	21.4	2.70	23.6	2.05	24.4	1.85	19.7	2.20	24.5	1.20	27.8	0.85	29.1	0.80
73	17.8	4.90	19.8	3.80	21.0	3.25	21.4	3.10	20.1	3.50	23.5	2.55	25.6	2.00	26.3	1.85	22.1	2.00	26.8	1.15	29.9	0.85	30.9	0.75
70	20.6	3.90	22.6	3.30	23.7	2.90	24.0	2.80	23.3	2.95	26.5	2.20	28.4	1.85	28.9	1.75	25.7	1.80	30.0	1.05	32.8	0.80	33.6	0.75
68	22.3	2.85	24.3	2.70	25.4	2.50	25.6	2.50	25.2	2.40	28.4	2.00	30.2	1.70	30.6	1.65	27.9	1.65	32.2	1.05				
θ (°)	67 ~ 81.5	67 ~ 81.5	67 ~ 81.5	67 ~ 81.5	67 ~ 81.5	67 ~ 81.5	67 ~ 81.5	67 ~ 81.5	67 ~ 81.5	67 ~ 81.5	67 ~ 81.5	67 ~ 81.5	67 ~ 81.5	67 ~ 81.5	67 ~ 81.5	67 ~ 81.5	67 ~ 81.5	67 ~ 81.5	67 ~ 81.5	67 ~ 81.5	67 ~ 81.5	67 ~ 81.5	67 ~ 81.5	67 ~ 81.5

B= Working radius C= jib length D= jib offset E= Boom angle M= Total rated loads

[JIB]
(Counterweight 9t, Outrigger extension width 4.9m)

Performance G

C D	46.2m Boom + 9.0m jib						46.2m Boom + 14.0m jib						46.2m Boom + 19.0m jib						Unit:ton					
	5°		25°		45°		5°		25°		45°		5°		25°		45°			60°				
	B(m)	M	B(m)	M	B(m)	M	B(m)	M	B(m)	M	B(m)	M	B(m)	M	B(m)	M	B(m)	M		B(m)	M	B(m)	M	
E(°)	7.6	6.50	10.2	5.65	12.0	4.70	12.7	4.40	8.8	3.50	13.1	2.90	15.9	2.15	17.2	1.90	10.2	2.50	15.8	1.30	19.9	0.90	21.8	0.80
80	9.9	6.50	12.3	5.65	13.9	4.70	14.6	4.40	11.2	3.50	15.3	2.90	18.0	2.15	19.1	1.90	12.8	2.50	18.2	1.30	22.0	0.90	23.7	0.80
79	10.9	6.50	13.4	5.65	14.9	4.70	15.6	4.40	12.3	3.50	16.4	2.90	19.0	2.15	20.1	1.90	14.1	2.50	19.3	1.30	23.1	0.90	24.7	0.80
78	12.0	6.50	14.4	5.65	15.9	4.70	16.5	4.40	13.5	3.50	17.5	2.90	20.0	2.15	21.0	1.90	15.4	2.50	20.5	1.30	24.1	0.90	25.6	0.80
75	15.1	5.90	17.3	4.95	18.6	4.20	19.1	4.00	17.0	3.50	20.7	2.75	22.9	2.05	23.7	1.85	19.0	2.30	23.8	1.20	27.2	0.90	28.4	0.80
73	16.8	4.25	18.9	3.75	20.2	3.40	20.7	3.30	19.2	3.50	22.7	2.65	24.8	2.00	25.5	1.85	21.3	2.10	26.0	1.15				
θ (°)	72 ~ 81.5	72 ~ 81.5	72 ~ 81.5	72 ~ 81.5	72 ~ 81.5	72 ~ 81.5	72 ~ 81.5	72 ~ 81.5	72 ~ 81.5	72 ~ 81.5	72 ~ 81.5	72 ~ 81.5	72 ~ 81.5	72 ~ 81.5	72 ~ 81.5	72 ~ 81.5	72 ~ 81.5	72 ~ 81.5	72 ~ 81.5	72 ~ 81.5	74 ~ 81.5	74 ~ 81.5	74 ~ 81.5	74 ~ 81.5

C D	48.0m Boom + 9.0m jib						48.0m Boom + 14.0m jib						48.0m Boom + 19.0m jib						Unit:ton					
	5°		25°		45°		5°		25°		45°		5°		25°		45°			60°				
	B(m)	M	B(m)	M	B(m)	M	B(m)	M	B(m)	M	B(m)	M	B(m)	M	B(m)	M	B(m)	M		B(m)	M	B(m)	M	
E(°)	7.9	5.20	10.6	5.00	12.3	4.10	13.0	3.80	9.2	3.50	13.5	2.90	16.4	2.15	17.7	1.90	10.6	2.20	16.3	1.30	20.3	0.90	22.2	0.80
80	10.1	5.20	12.8	5.00	14.3	4.10	15.0	3.80	11.7	3.50	15.9	2.90	18.5	2.15	19.6	1.90	13.2	2.20	18.7	1.30	22.5	0.90	24.2	0.80
79	11.3	5.20	13.8	5.00	15.4	4.10	16.0	3.80	12.9	3.50	17.0	2.90	19.6	2.15	20.6	1.90	14.5	2.20	19.9	1.30	23.6	0.90	25.2	0.80
78	12.4	5.20	14.9	4.95	16.4	4.05	16.9	3.80	14.1	3.50	18.2	2.90	20.6	2.15	21.6	1.90	15.9	2.20	21.1	1.30	24.7	0.90	26.2	0.80
75	15.7	5.20	17.8	4.20	19.2	3.55	19.6	3.35	17.8	3.50	21.4	2.70	23.6	2.05	24.4	1.85	19.7	2.20	24.5	1.20	27.8	0.85	29.1	0.80
73	17.4	3.65	19.6	3.35	20.9	3.05	21.4	3.00																
θ (°)	72 ~ 81.5	72 ~ 81.5	72 ~ 81.5	72 ~ 81.5	72 ~ 81.5	72 ~ 81.5	72 ~ 81.5	72 ~ 81.5	74 ~ 81.5	74 ~ 81.5	74 ~ 81.5	74 ~ 81.5	74 ~ 81.5	74 ~ 81.5	74 ~ 81.5	74 ~ 81.5	74 ~ 81.5	74 ~ 81.5	74 ~ 81.5	74 ~ 81.5	74 ~ 81.5	74 ~ 81.5	74 ~ 81.5	74 ~ 81.5

B= Working radius C= jib length D= jib offset E= Boom angle M= Total rated loads

TOTAL RATED LOADS

- The total rated loads shown are for the case where the outriggers are set horizontally on firm level ground. The values above the bold lines are based on the crane strength while those below are based on the crane stability.
- The weights of the slings and hooks (100t hook: 820kg, 50t hook: 700kg, 8t hook: 250kg) are included in the total rated loads shown.
- The total rated load is based on the actual working radius including the deflection of the boom.
- The table below shows the classification of Performances A to I of the total rated load.

Counterweight Outrigger extension width	21t	16t	9t	5t or 0t
7.2m	A	B	E	G *
6.36m	C	D	F	G *
4.9m	E	F	G	H *
4.0m	F *	G *	H *	H *
2.53m	/	/	/	I *

Performances with * are only for the boom performance.

Performance H shall apply to the 12.2m boom and 21.1m boom.

Performance I shall apply to the 12.2m boom.

- The table below shows the standard number of part lines for each boom length. The load per line should not exceed 8.0t for the main winch and the auxiliary winch.

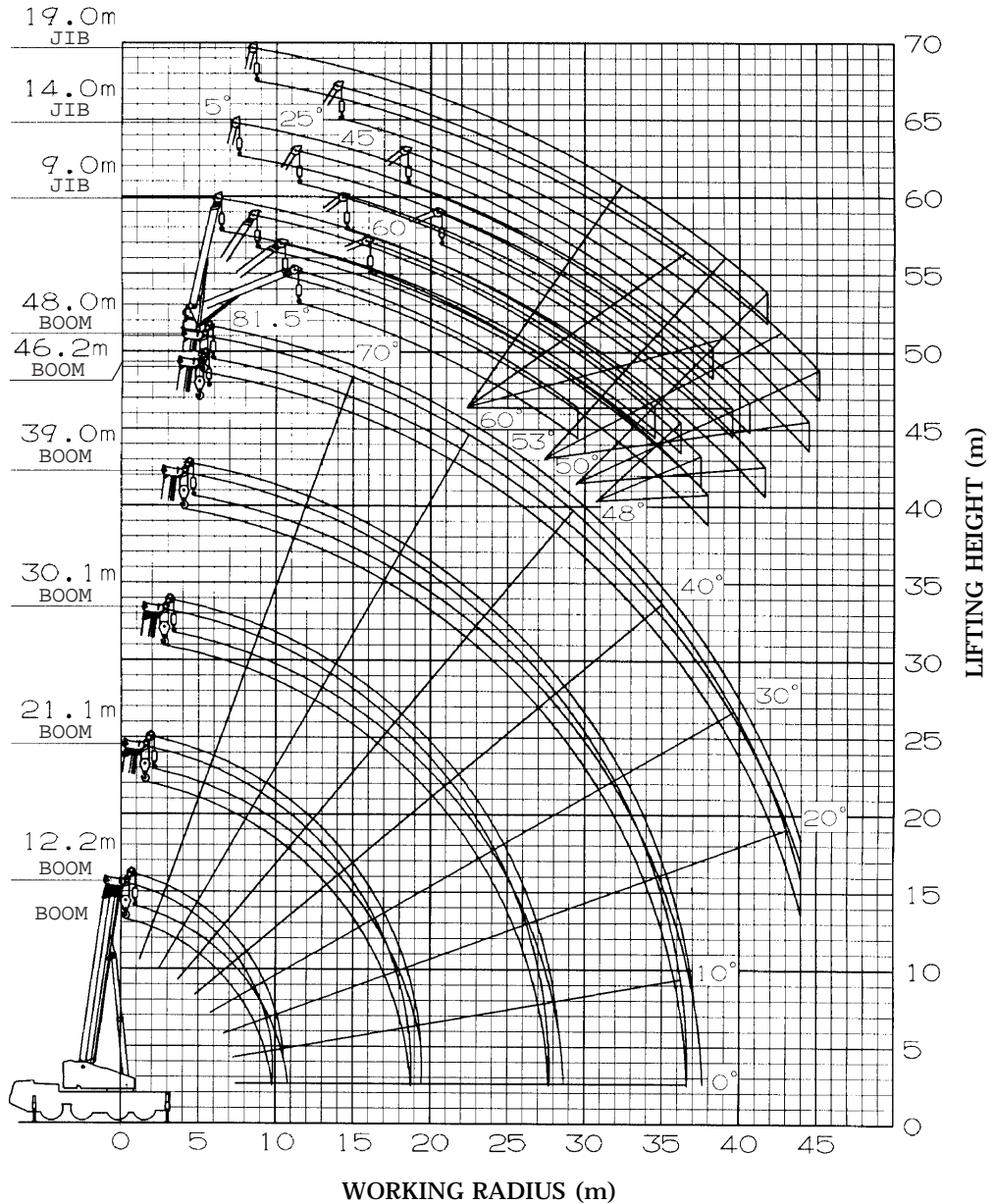
A	12.2m	21.1m		30.1m		39.0m	46.2m	48.0m	J
T	I, II	I	II	I	II	I, II	I	I, II	/
H	13	7	4	5	4	4	4	4	1

A= Boom length T= Telescoping method H= No. of part-lines J= Jib/Single top

- The total rated load for the single top shall be the value obtained by subtracting the weight of the hook mounted to the boom from the total rated load of the boom and must not exceed 8.0t.
- The total rated load for the jib differs for boom lengths of less than and greater than 46.2m.
- Jib operation should be performed on the basis of the boom angle. The working radii are reference values for the case where a jib is mounted to a 46.2m or 48.0m boom.
- Mark α in the total rated load chart shows the boom angle range (under no load)
- The jib should be operated with the boom "telescoping method I".
- When the maximum instantaneous velocity is 10m/s or more, stop crane operation.

WORKING RADIUS - LIFTING HEIGHT

Performance A

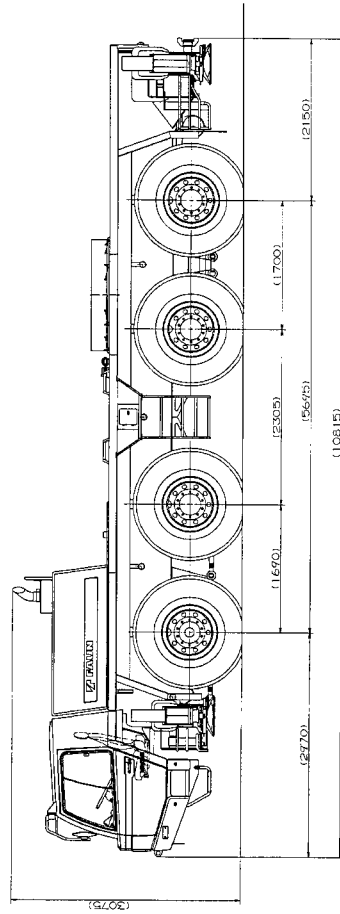
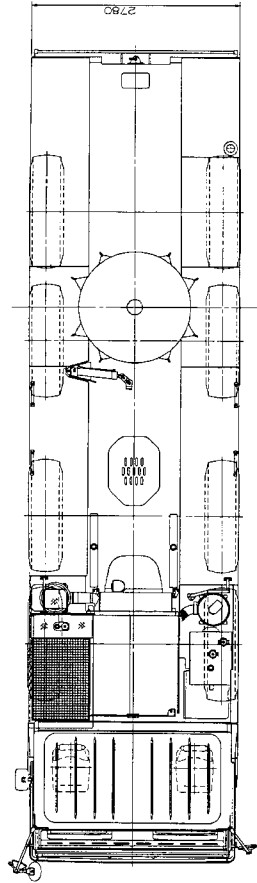


NOTES:

1. The deflection of the boom is not incorporated in the figure above.
2. The above figure is for the boom "telescoping method I".

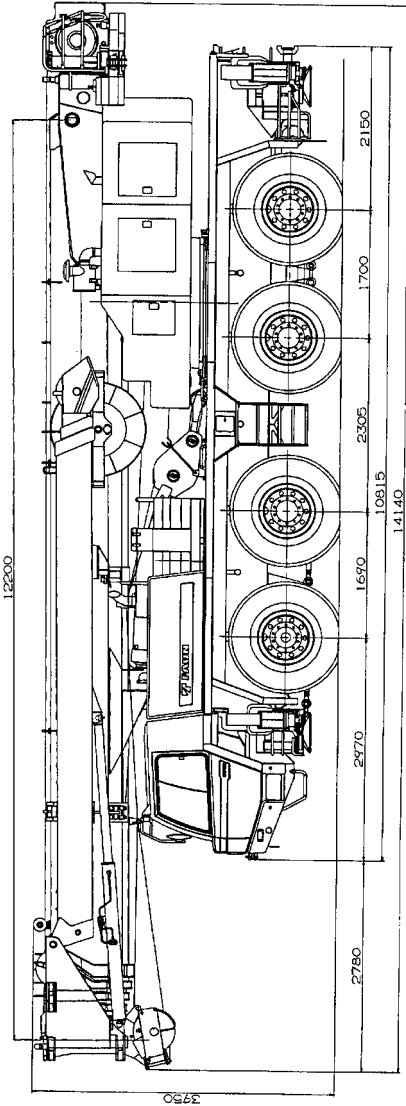
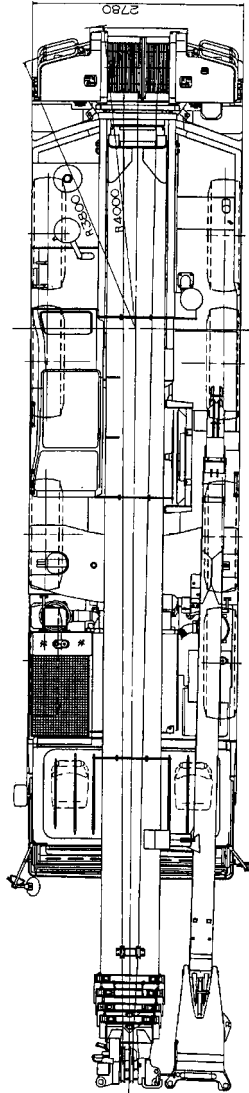
DIMENSIONS (1/100)

[On public thoroughfare traveling condition]



DIMENSIONS (1/100)

[On-site traveling condition]



شركة محمد عبدالله العريضة المحدودة
Mohammad Abdullah Al Areehd Ltd. Co.

Ibn Alameed Str 11464
Riyadh, Saudi Arabia

Tel: +966 9200 11 888
Fax: +966 11 241 2377
e-Mail: info@alareedh.com
www.alareedh.com

